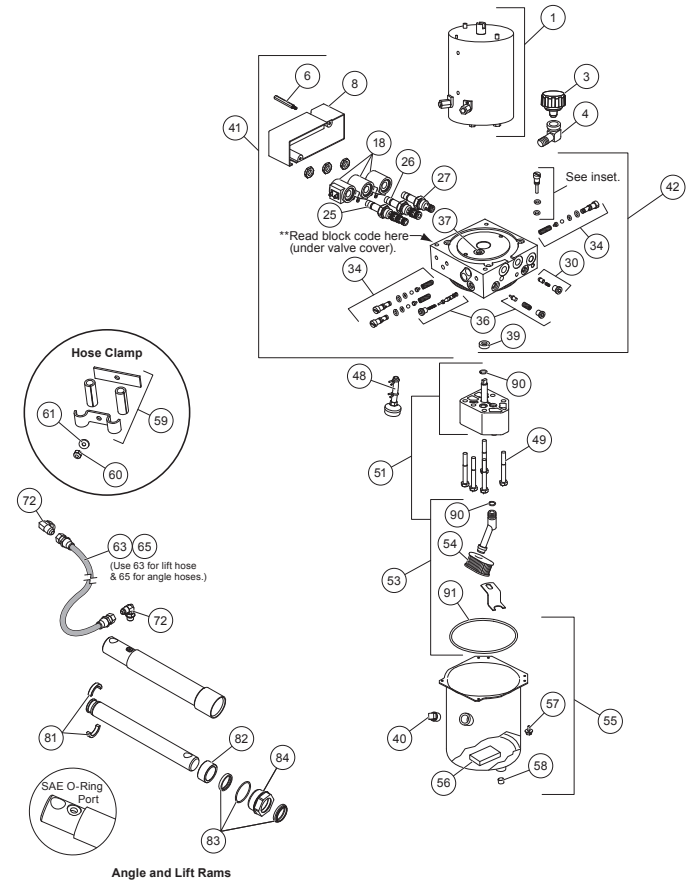
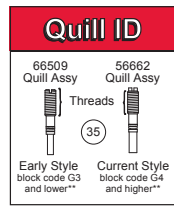


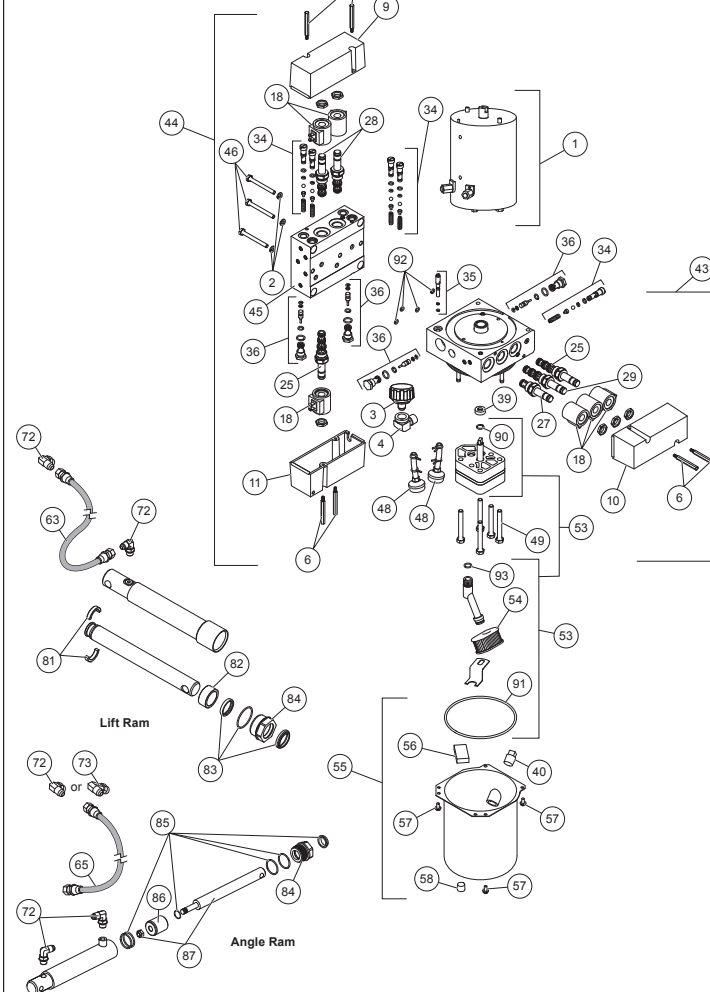
FloStat[®] HYDRAULIC UNIT



Standard, PRO-PLOW[®], &
PRO PLUS[®] Snowplows



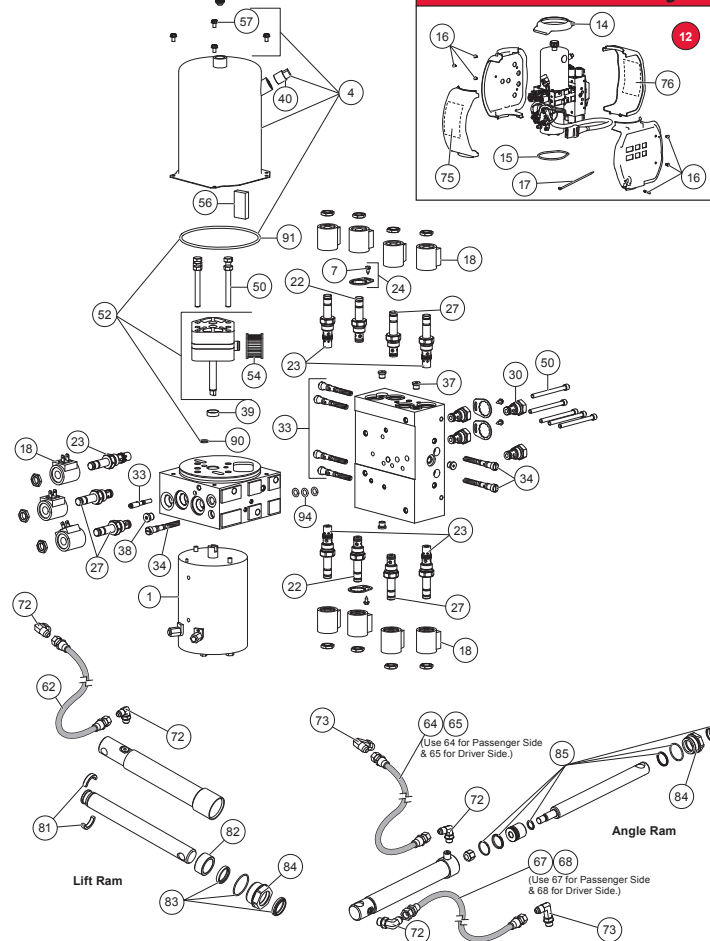
MVP[®] HYDRAULIC UNIT



MVP PLUS[™] HYDRAULIC UNIT



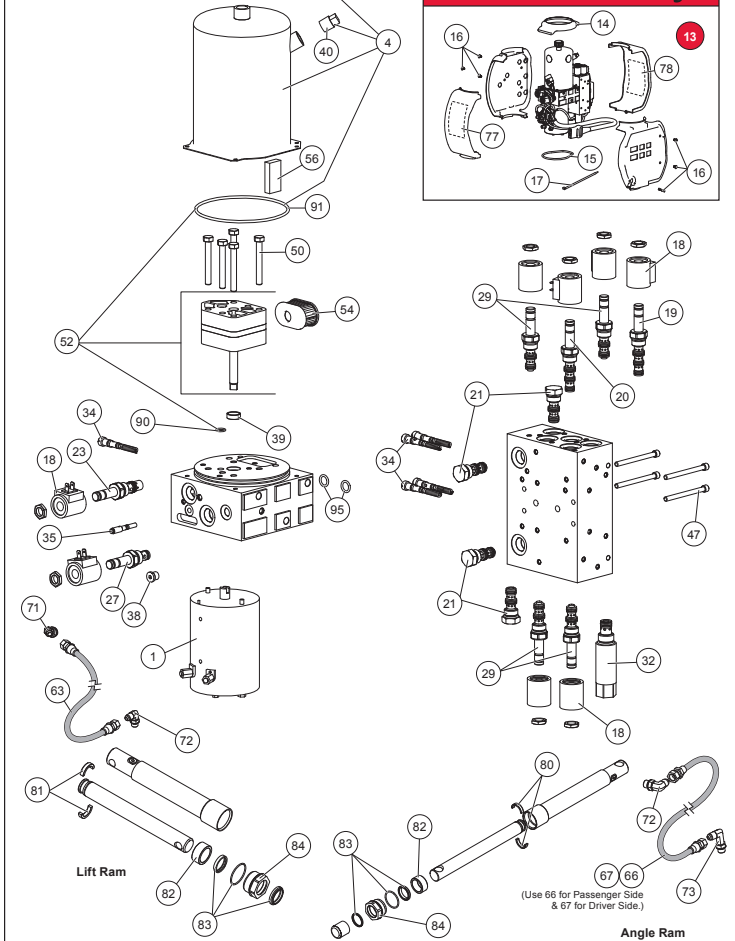
44325 Cover Assy



WIDE-OUT[™] HYDRAULIC UNIT



49455 Cover Assy



Rams

Part:	Single-Acting Rams					Double-Acting Rams			
	56538K	49460	56614	64706	64148	56750	44341		
Application:	Straight Blade, V-Plow and WIDE-OUT Lift Ram	WIDE-OUT Angle Ram	Standard and PRO-PLOW Angle Ram	MIDWEIGHT [™] Angle Ram	PRO PLUS Angle Ram	MVP Angle Ram	MVP PLUS Angle Ram		
Item	Description	Ram Size:	1-1/2" x 8"	1" x 10"	1-1/2" x 10"	1-1/2" x 10"	1-1/2" x 12"	2" x 11"	1-3/4" x 11"
81	Split Bearing Kit, 1-1/2"	64650	-	64650	64650	64650	-	64650	-
82	Spacer	56537	56537	56537	56537	56537	-	56537	-
83	Seal Kit with PolyPak Seal	56556	56556	56556	56556	56556	-	56556	-
84	Gland Nut	56555	56555	56555	56555	56555	-	56555	-
85	Seal Kit DA Ram	-	-	-	-	-	-	56669	44342
86	Seal Kit with Piston, DA Ram	-	-	-	-	-	-	56677	-
87	Rod Kit	-	-	-	-	-	-	56797	-

56657-3 O-Ring & Backup Ring Kit - SOL

Item	Part	Qty	Description	Item	Part	Qty	Description
90	56274	1	O-Ring - 013	ns	25730	4	O-Ring - 012 (Check valve stamped V5 & higher)
91	66519	1	O-Ring - 2-250	ns	48239	1	O-Ring - 106
92	25731	9	O-Ring - 010	ns	48240	1	Backup Ring - 106
93	56416	1	O-Ring - 014	ns	25620	1	O-Ring - 115
94	29077	3	O-Ring - 110	ns	25618	1	O-Ring - 216
95	44905	2	O-Ring - 112	ns	66028	1	O-Ring - 226
ns	25622	2	O-Ring - 006	ns	26784	4	O-Ring - 903
ns	56315	2	Backup Ring - 006	ns	56569	4	O-Ring - 906
ns	55371	5	O-Ring - 008, 90 Durometer (Black)	ns	44343	1	O-Ring - 904
ns	66628	4	Backup Ring - 008	ns	56776	4	O-Ring - 008, 70 Durometer (Red)
ns	66627	4	O-Ring - 011 (Check valve stamped V4 & lower)				

(Universal Kit - not all contents are used in each blade application.)

INTERACTIVE PARTS POSTER AVAILABLE AT WWW.WESTERNPLOWS.COM

PARTS LIST

Item	Part	Description	Item	Part	Description	Item	Part	Description
1	21500-1	Motor Assembly 4-1/2" - FS	29	66783W	Cartridge 43 with Jam Nut	57	66607	10-24 x 5/16" Machine Screw
2	91201	1/4" Spring Lock Washer	30	56507	Bypass Check Valve Assembly	58	92095	Plug 1/4" NPTF Hex Socket Thread Seal
3	21727-2K	Breather, 3/8" NPT Kit	31	44334-1	Check Valve CV08-20	59	64725	Hose Clamp Kit
4	44327-1	Reservoir Kit	32	49462	Crossover Relief Valve - 4000 psi	60	91332	5/16"-18 Hex Locknut GB
5	21726K	3/8" NPTF x 90° Street Elbow Kit	33	44338	Relief Valve Kit (2 sets)	61	90313	5/16" Flat Washer
6	56580K	Screw Standoff Kit	34	49138K-3	Relief Valve Kit (2 sets)	62	44347	Hose, 1/4" x 12" with FJIC Ends
7	63943	8-18 x 3/8" Tapping Screw	35	56662	Quill Assembly (Straight, MVP, MVPP, WO)	63	56617	Hose, 1/4" x 16" with FJIC Ends
8	21394	Cover Assembly	36	66509	Quill Assembly (Straight)	64	56599	Hose, 1/4" x 36" with FJIC Ends
9	66620	Cover Assembly V-Plow 3-3	37	66785	Pilot Check Valve Kit	65	56616-1	Hose, 1/4" x 42" with FJIC Ends
10	56763	Cover Assembly V-Plow 4-4-2	38	92960	3/8"-24 Hex Socket O-Ring Boss Plug	66	49469	Hose, 3/8" x 32" with FJIC Ends
11	66621	Cover Assembly V-Plow 4-way	39	44344	7/16"-20 Socket O-Ring Boss Plug	67	44351	Hose, 3/8" x 38" with FJIC Ends
12	44325	Cover Assembly (MVPP)	40	66515	Pump Shaft Seal	68	44350	Hose, 3/8" x 45" with FJIC Ends
13	49455	Cover Assembly (WO)	41	92079	Plug 3/8" NPTF SQ	69	49467	Hose, 3/8" x 67" with FJIC Ends
14	44352	Top Retainer Ring	42	56608	Valve Manifold Assy - FS	70	49468	Hose, 3/8" x 78" with FJIC Ends
15	44366	Bottom Retainer Ring	43	56610	Manifold Assy - FS	71	26694	Elbow Kit, 45° - 6M O-Ring/MJIC
16	44326	1/4"-20 x 1/2" 6-Lobe Round Washer Head Screw (Package of 5) with 8" Cable Tie	44	66773-1	Primary Manifold w/Cartridges Coils & Covers	72	56615-1	Elbow Kit, 90° - 6M O-Ring/MJIC
17	61536	Cable Tie - 14"	45	66771-1	Secondary Manifold w/Cartridges Coils & Covers	73	64212-1	Elbow Kit, Long 90° - 6M O-Ring/MJIC
18	49230K-2	Coil with Spade Terminals	46	66772-1	Secondary Manifold w/o Cartridges Coils & Covers	74	49465	Orifice Kit
19	49452	Valve SV08-45 with Nut	47	66597	1/4"-20 x 2-1/2" Hex Cap Screw G5	75	44310	Label, Information (S1-S3) (MVPP)
20	49456	Valve SV08-41 with Nut	48	29081	1/4"-20 x 3" Socket Cap Screw	76	44319	Label, Information (S4-S11) (MVPP)
21	49458	Valve PC08-30 with Nut	49	66405	Return Screen Assembly	77	44904	Label, Information (WO)
22	44336	Valve SF08-2015 with Nut	50	90073	5/16"-18 x 2-1/4" Hex Cap Screw G5	78	44906	Label, Information (WO)
23	44332	Valve SVCV08-20 with Nut	51	90080	5/16"-18 x 2-1/2" Hex Cap Screw G5	79	B63263	Label, Hose Install Warning
24	44369	Valve Lock Ring with Screw	52	21501-1	Hyd Pump Kit - FS	ns	56823	Hose Wrap, Polyethylene 1" x 18"
25	49229K-1	Cartridge 40 with Jam Nut	53	44328-1	Pump Kit	ns	49258-2	Seal Kit - Cartridge 20
26	66608-1	Cartridge 31 with Jam Nut	54	66763-1	Inlet Fitting/Filter Kit	ns	49259-2	Seal Kit - Cartridge 30, 31, 33, 40, 43
27	49227K-2	Cartridge 20 with Jam Nut	55	56789-3	Suction Filter	ns	49464	Seal Kit - Crossover Relief Valve
28	49228K-1	Cartridge 30 with Jam Nut	56	21830	Reservoir Kit	ns	44346	Drain Cap (MVPP)

G = Grade
ns = not shown



Western Products

PO Box 245038 • Milwaukee, WI 53224-9538

Use only genuine WESTERN[®] replacement parts.

Copyright © 2009 Douglas Dynamics, L.L.C. All rights reserved. This material may not be reproduced or copied, in whole or in part, in any printed, mechanical, electronic, film or other distribution and storage media, without the written consent of Western Products. Authorization to photocopy items for internal or personal use by Western Products outlets or snowplow owner is granted.

Western Products reserves the right under its product improvement policy to change construction or design details and furnish equipment when so altered without reference to illustrations or specifications used. Western Products or the vehicle manufacturer may require or recommend optional equipment for snow removal. Do not exceed vehicle ratings with a snowplow. Western Products offers a limited warranty for all snowplows and accessories. See separately printed page for this important information. The following are registered (®) or unregistered (™) trademarks of Douglas Dynamics, L.L.C.: FloStat[®], MIDWEIGHT[™], MVP[®], MVP PLUS[™], PRO-PLOW[®], PRO PLUS[®], UltraMount[®], WESTERN[®], WIDE-OUT[™].